



## Angle Seated Valve Type 6812M As per ASME BPE - (OD Based)

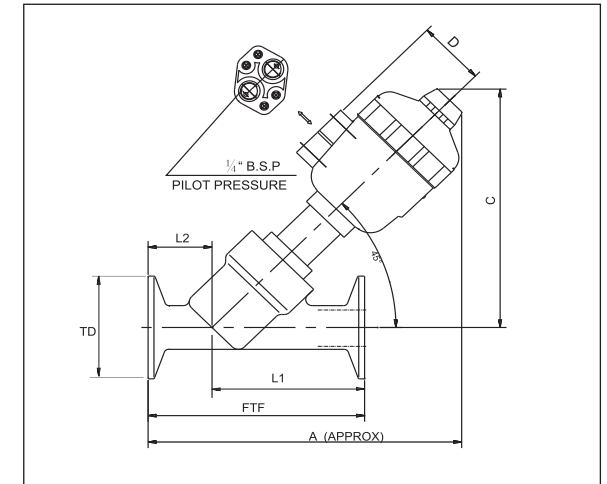


**Pioneer Spirit in Valve Automation**

### DIMENSIONS ( IN MM ) ( BS - TC )

Model	FTF	L2	L1	D	A	C	TD
BS6812M167 - K51	101.6	30	71.6	44	182	157	25
BS6812M217 - K51	101.6	30	71.6	44	187	162	50.4
BS6812M267 - K51	114.3	33	81.3	52	209	180	50.4
BS6812M417 - K81	139.7	27	112.7	60.5	270	226	50.4
BS6812M517 - K81	157.7	32	125.7	60.5	277	230	63.9

Model	FTF	L2	L1	D	A	C	TD
BS6824M167 - K51	101.6	30	71.6	44	182	157	25
BS6824M217 - K61	101.6	30	71.6	44	187	162	50.4
BS6824M267 - K61	114.3	33	81.3	52	209	180	50.4
BS6824M417 - K101	139.7	27	112.7	60.5	270	226	50.4
BS6824M517 - K101	157.7	32	125.7	60.5	277	230	63.9



**Mechanical Stopper.**



**Filter Regulator with Gauge.**



**2-Way/3-Way Namur base Solenoid Valve.**



**3/2-Way Midget Type Direct Acting Normally Closed.**



**Limit Switch/ Proximity Switch Box with Linear Movement.**



**3-Way Plastic Namur Solenoid Valve for Spring Return K-Series Plastic Linear Actuator.**



Manufactured by:

**AVCON CONTROLS PVT. LTD.**

Plot No. 65, Road No. 13, MIDC Marol Area, Andheri (E), Mumbai - 400 093.  
Tel. No.: 91(22)-2834 9134/9971/73/2822 1505, Fax No.: 91(22)-2821 6917/3298  
E-mail : avcon@avconcontrols.com, Website : www.avconcontrols.com

#### REGIONAL OFFICES

##### EASTERN:

720, Marshal House,  
33/1, Netaji Subhas Road,  
Kolkata - 700 001.  
Tel No. (033)-22302471  
Fax No. (033)-22302471  
E-mail: arunkumar.sing@avconcontrols.com

##### NORTHERN:

Flat no. 708, 7th Floor,  
94, Meghdoot, Nehru Place,  
New Delhi - 110019.  
Tel. No.: (011)-26460811 / 26412314  
Fax No.: (011)-26215074 / 26441814  
E-mail: acpldelhi@avconcontrols.com

##### SOUTHERN:

VATIKA BUSINESS CENTRE  
Suite No.C-3, Prestige Polygon,471,  
Anna Salai, Longford Road,  
Teynampet, Chennai- 600 035  
Tamil Nadu  
Tel. No.: (044)-40282503  
E-mail: acplchennai@avconcontrols.com

##### PUNE

Plot No. T-108, M.I.D.C. Bhosari  
Pune - 411026  
Tel. No. (020) - 27120776 / 27120540  
Fax: (020)-27120647  
Email: primaind@eth.net/  
Email: avcon\_pune@avconcontrols.com

## 2/2-Way Angle Seated OD Based (As Per ASME BPE) Metal Body Valve with Engineering Plastic-Piston Actuator.

For On-Off Application (Rust Free Design), Normally Closed Type.  
6812M For Flow Over The Seat, 6824M For Flow Under The Seat.

DATA SHEET  
PV-6812M  
PV-6824M

### SPECIFICATIONS

Sizes : 1/2" to 2" (Refer Table)  
Construction : 6812M-NC-Flow over the seat.  
6824M-NC-Flow under the seat.  
Body and Bonnet : Standard-Investment casted  
SS-ASTM A351 CF8 (DIN1.4301)  
(SS-304). Optional-Investment  
casted CF8M(SS-316) (DIN1.4408)  
(GX6 Cr.Ni MO1810).  
Pressure Temp. Rating : As per ANSI Class 300.  
End Connection : Spigot end (As per ASME  
BPE.)  
Seating : Standard-Soft seat PTFE backed  
by EPDM. Optional-VITON/EPDM/  
Buna Nitrile.  
Leakage : ANSI/FCI 70-2  
PTFE seating class VI  
Drop Tight/Bubble Tight.  
Trim : Standard-SS AISI 304,  
Optional-SS AISI 316.  
Stem Packing : Self adjusting, Spring loaded  
PTFE packing.  
Characteristic : On-Off, Normally Closed.  
Working Fluid Press. : Refer to table below.  
Working Temperature : On steam-continuous 155°C,  
Intermittent 180°C, EPDM 135°C,  
VITON 180°C



### ACTUATOR

Spring Return type, Engineering Plastic Pneumatic Actuator.  
Cylinder, Cover, Body : Glass filled polyamide.  
& Piston  
Piston Packing : Buna Nitrile.  
Actuator Spring : IS 4454 Grade III, duly painted.  
Pilot Pressure : 3.5 to 6 bar (refer to graph)  
Solenoid Mounting : Valve has built in Namur mounting  
interface, any standard Namur  
Solenoid Valve can be fitted.  
Operating cycles : 12.7mm to 25.4mm upto 600  
Per hour : 38.1mm to 50.8mm upto  
300cy/hr.(tested on air, on other  
fluids this figure may vary).

Air Quality : Lubricated/Non-lubricated  
moisture free.  
Max. Operating : Refer to graph.  
Pressure differential.  
Accessories : Air lock, position indicating  
limit switch box, solenoid  
valve, filter regulator gauge.  
Other accessories available  
on application.  
Application : Sterilization in CIP and SIP,  
autoclave, cooling circuits,  
heating facilities, boiler  
construction, dosing,  
packaging, drying,  
temperature and pressure  
control & process flow.  
Back Pressure : Generally all models are  
suitable for back pressure upto  
2.5 bar. However for specific  
application where higher back  
pressure is expected, refer to  
'AVCON'.

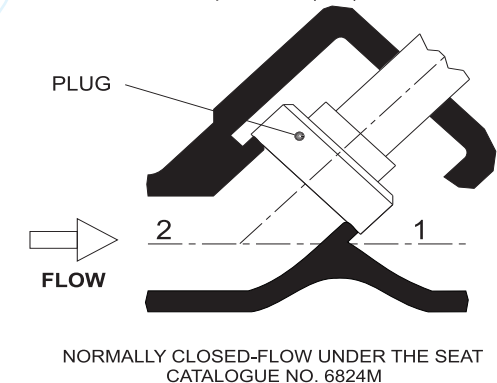
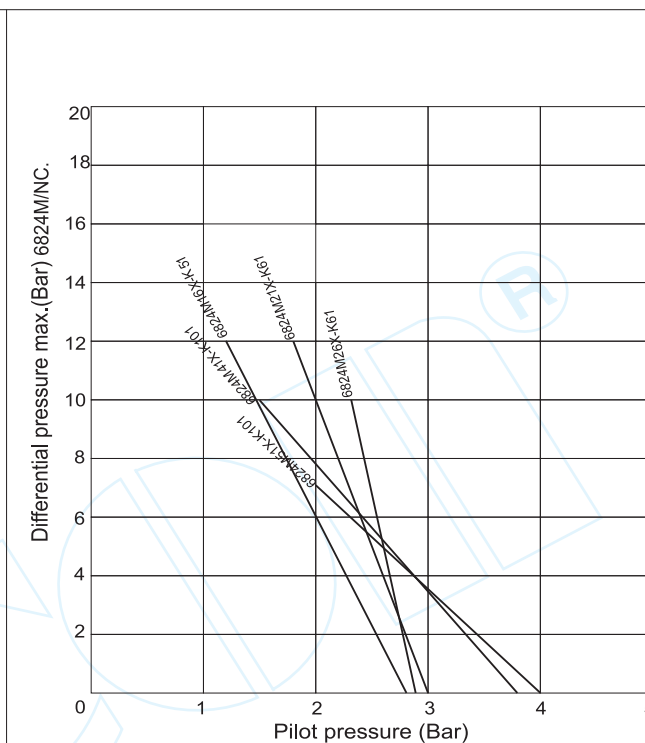
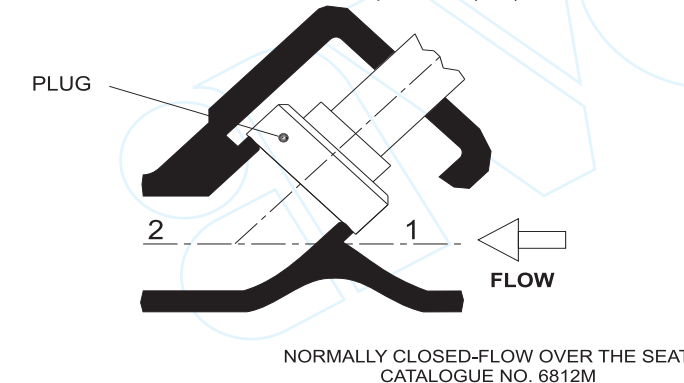
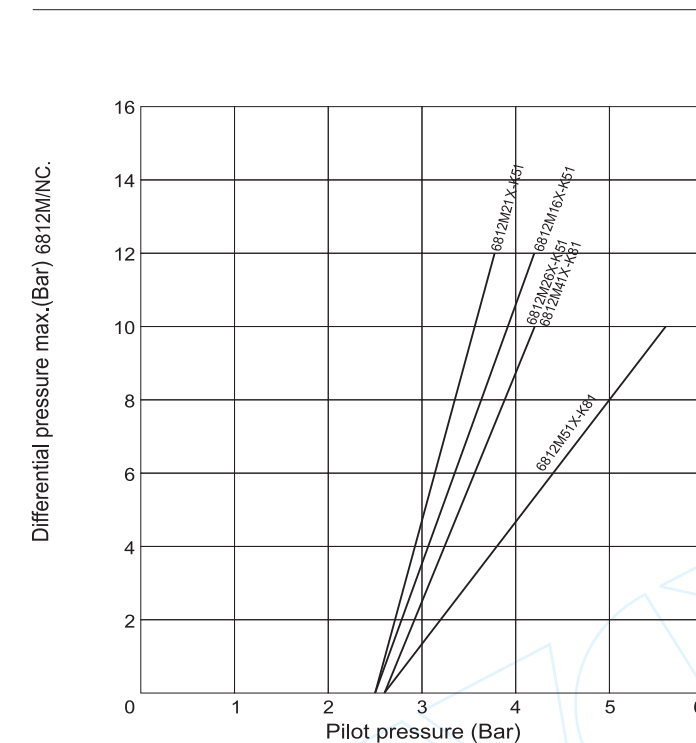
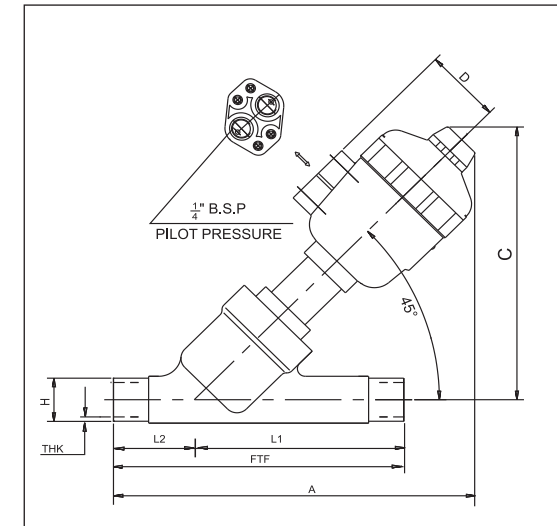
### SPECIFICATION TABLE

Catalogue Number	Size SPG(M)	Orifice Size	Flow Factor Kv	Maximum Pressure	Inlet Pressure Over / Under the seat	Body Test Pressure	Actuator Model	Air consumption	Weight ♦
	mm	mm	M <sup>3</sup> /hr	bar				Litres /cy.	(Approx.) Kgs.
BS6812M166 - K51	12.7	16	4.3	12	Over	30	K-51 NC	0.04	0.97
BS6812M216 - K51	19.05	16	5.4	12	Over	30	K-51 NC	0.06	1.18
BS6812M266 - K51	25.4	23	13.6	10	Over	30	K-51 NC	0.16	1.83
BS6812M416 - K81	38.1	34	31.8	10	Over	30	K-81 NC	0.64	3.27
BS6812M516 - K81	50.8	45	54.8	10	Over	30	K-81 NC	0.64	3.78
BS6824M166 - K51	12.7	16	4.3	12	Under	30	K-51 NC	0.16	1.15
BS6824M216 - K61	19.05	16	5.4	12	Under	30	K-61 NC	0.25	1.18
BS6824M266 - K61	25.4	23	13.6	10	Under	30	K-61 NC	0.43	2.40
BS6824M416 - K101	38.1	34	31.8	10	Under	30	K-101 NC	0.92	3.80
BS6824M516 - K101	50.8	45	54.8	7	Under	30	K-101 NC	0.92	4.95

♦ Weight of TC end valves. For other models refer AVCON.

### DIMENSIONS ( IN MM) (BS - SPG)

Model	H	THK	FTF	L1	L2	A	C	D
BS6812M166 - K51	12.7	1.65	105	72.5	32.5	182	157	44
BS6812M216 - K51	19.05	1.65	120	90.5	29.5	187	162	44
BS6812M266 - K51	25.4	1.65	125	96	29	209	180	52
BS6812M416 - K81	38.1	1.65	160	133	27	265	226	60.5
BS6812M516 - K81	50.8	1.65	180	148	32	270	226	60.5
BS6824M166 - K51	12.7	1.65	105	72.5	32.5	182	157	44
BS6824M216 - K61	19.05	1.65	120	90.5	29.5	187	162	44
BS6824M266 - K61	25.4	1.65	125	96	29	209	180	52
BS6824M416 - K101	38.1	1.65	160	133	27	265	226	60.5
BS6824M516 - K101	50.8	1.65	180	148	32	270	226	60.5



### Note:

Technical specifications, details & dimensions are subject to change without prior notice.  
Dimensions in the table are approximate subject to final confirmation by AVCON.