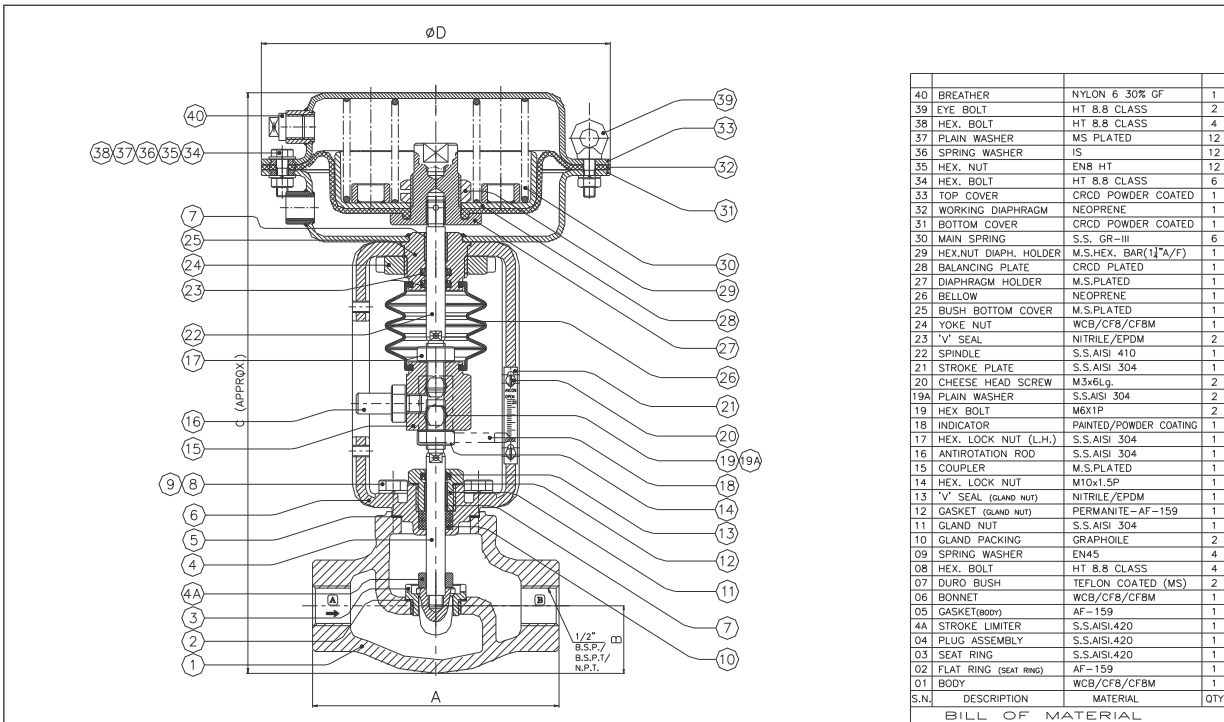


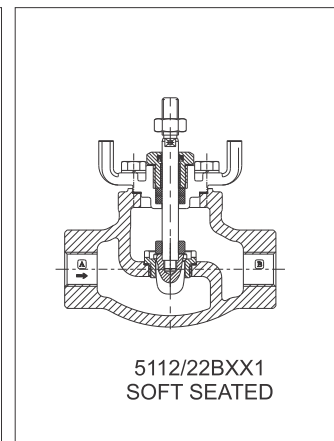
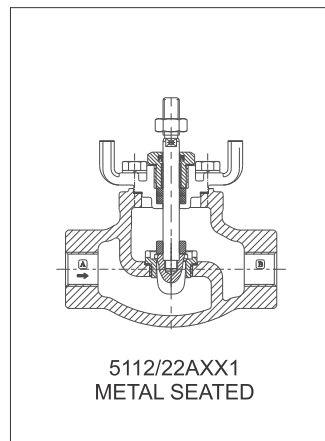
2-Way Pneumatic on-off & Control Valves with Multispring Diaphragm Actuator.



TECHNICAL DATA

Valve Size MM	15	20	25	25
Port Sizes 2-way	18	22	25	25
Kv. M ³ /hr.	4.0	6.3	10	10
Travel	20	20	20	20
Actuator MSD	200	200	200	250

- ◆ 5112/22AXX1 are Metal Seated Valves.
- ◆ 5112/22BXX1 are Soft Seated valves.



DIMENSIONS (IN MM)

Catalogue Number	Size	Pneumatic Actuator	A	B	C	ØD	Wt. Kg. (Approx.)	Envelope Size LxHxW (Approx.)	Box Wt. Kg. (Approx.)
	Inch								
5112A/B5122A/B151X200	1/2	200	130	35.6	306	200	12.5	465 x 275 x 275	15.5*
5112A/B5122A/B201X200	3/4	200	130	35.6	306	200	13.5	470 x 275 x 275	16.5*
5112A/B5122A/B251X200	1	200	130	35.6	306	200	15.5	505 x 275 x 275	20.5*
5112A/B5122A/B251X250	1	250	130	35.6	325	250	18.0	505 x 300 x 300	23.5*

Note:

Technical specifications, details & dimensions are subject to change without prior notice. Dimensions in the table are approximate subject to final confirmation by AVCON.