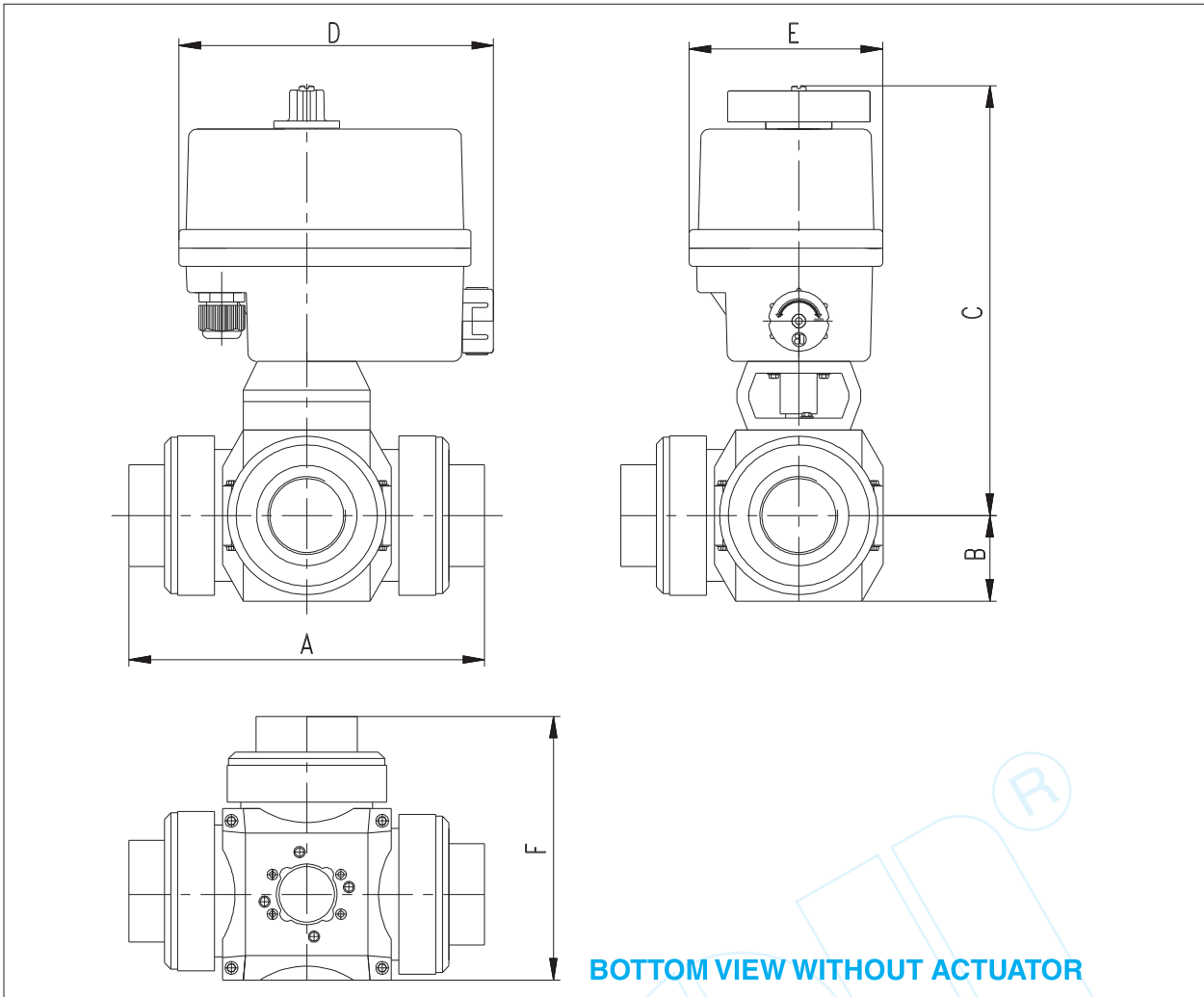


### 3 WAY PVC. BALL VALVE WITH ELECTRIC ACTUATOR EA-21/50

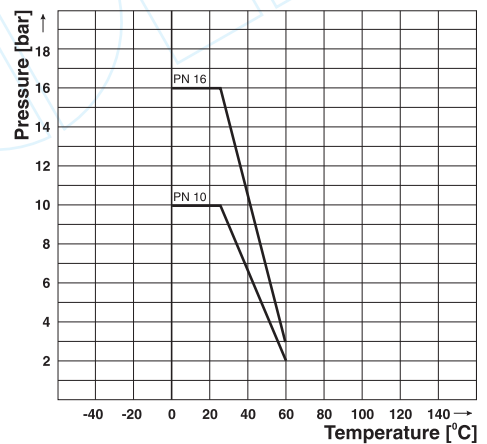


#### DIMENSION (IN MM)

Catalogue Number	Pipe Size (Inch)	A	B	C	D	E	F	Weight (Kg)
2533 K151	1/2	140	34	236	172	105	104	2.4
2533 K201	3/4	190	43	248	172	105	136	2.8
2533 K251	1	173	43	248	172	105	126	2.5
2533 K351	1½	238	57	263	172	105	172	4.2
2533 K501	2	270	65	295	200	128	198	7.5

• OPEN TOLERANCE  $\pm 3$  ALL OVER

#### PRESSURE TEMPERATURE CHART



#### Note:

Technical specifications, details & dimensions are subject to change without prior notice. Dimensions in the table are approximate subject to final confirmation by AVCON.