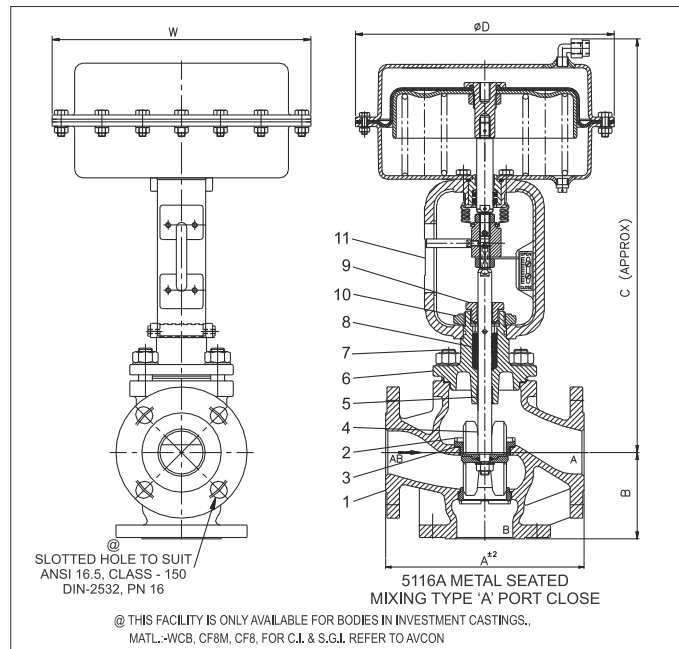


## 3/2 WAY PNEUMATIC CONTROL VALVES WITH MULTI SPRING DIAPHRAGM ACTUATOR (16).

### BILL OF MATERIAL

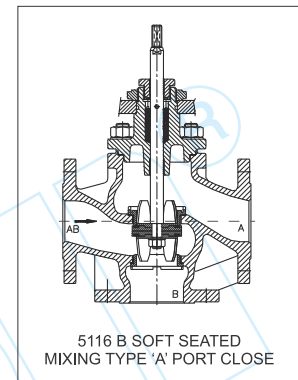
Item	Parts	Material
1	Body	SS ASTM A351 CF8/CF8M
		CS ASTM A 216, Gr. WCB
		SGI-IS 1865 Grade SG 400/15A
2	Seat	SS AISI 420/ SS AISI 316
3	Gasket	Cr.Ni Foil coated with graphite.
4	Plug	SS AISI 420/ SS AISI 316
5	Duro Bush	PTFE Lined & coated, SS as backed.
6	Bonnet	SS ASTM A351 CF8/CF8M
		CS ASTM A216, Gr. WCB
		SGI-IS 1865 Grade SG 400/15A
7	Studs/ Nuts	IS 1363, ASTM A193, Gr.B7
		IS 1363, ASTM A 194, Gr.2H
8	Gland Packing	Graphited PTFE
9	Gland Nut	SS AISI 304
10	Yoke Nut	CS ASTM A216, Gr. WCB
11	Actuator	Multi Spring* Pneumatic
		Diaphragm.

\* Refer to actuator leaflet for details of components.



### TECHNICAL DATA

Valve size in MM		20	25	40	50	65	80	100	150
5116 Mixing	Port size	21	27	40	50	65	80	101	150
	Dim. in mm	25	27	40	50	60	75	101	150
	Kv. M <sup>3</sup> /hr.	6.3	10	25	40	63	100	160	320
Travel		20	20	20 30	30	30	30	30	50
Actuator MSD		250	250	250 400	400	400	800	800	800



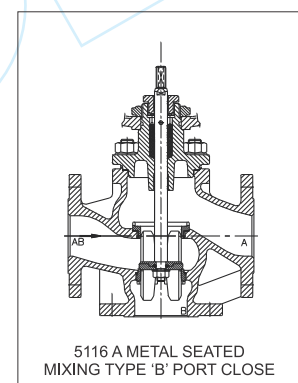
### DIMENSIONS (IN MM)

Catalogue Number	Size Inch	Pneumatic Actuator	A	B	C	ØD	W	Wt.Kg. (Approx.)	Envelop Size LxHxW (Approx.)	Box Wt. Kg. (Approx.)
5116A/B 205	3/4	250	150	70	390	250	250	14.0	490x275x275	17.5*
5116A/B255	1	250	160	75	421	250	250	16.0	530x275x275	21.5*
5116A/B355	1 ½	250	200	90	434	250	250	22.0	560x275x275	27.0*
5116A/B365	1 ½	400	200	90	476	350	350	28.0	600x380x380	34.0*
5116A/B505	2	400	230	100	485	350	350	32.0	625x380x380	45.0*
5116A/B655	2 ½	400	290	120	505	350	350	40.5	665x380x380	55.0**
5116A/B805	3	800	310	130	695	405	405	85.0	865x450x450	105.0**
5116A/B1005	4	800	350	150	702	405	405	96.0	895x450x450	116.0**
5116A/B1505	6	800	480	225	1025	405	405	150.0	1300x430x430	181.0**

Note:

\* Weight of cardboard + PUF Box Packing, Which may change for Export when packed in wooden box.

\*\* Weight of Wooden Box Packing.



### Note:

Technical specifications, details & dimensions are subject to change without prior notice. Dimensions in the table are approximate subject to final confirmation by AVCON.