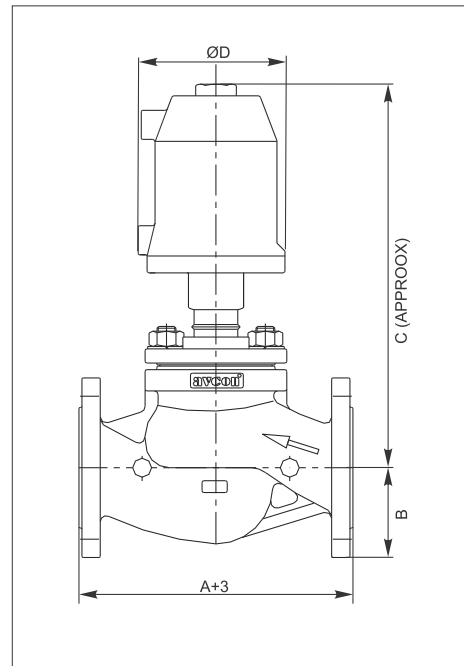


## DIMENSIONS IN MM

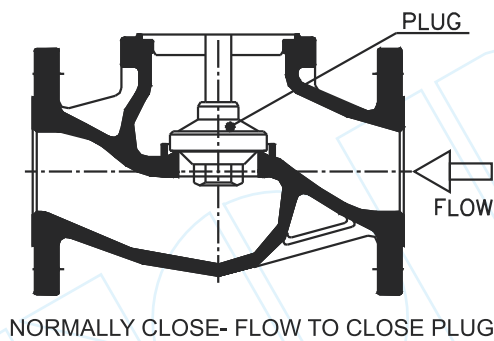
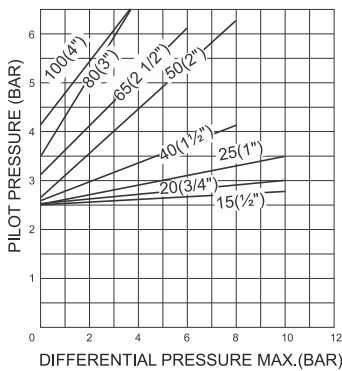
Catalogue Number	Size		A	B	C	ØD	Weight kgs.*
	Inch	mm					
5612E155 5622E155	½	15	130	45	236	95	4
5612E205 5622E205	¾	20	150	49	242	95	5.5
5612E255 5622E255	1	25	160	54	276	95	7
5612E405 5622E405	1 ½	40	200	76	290	110	8
5612E505 5622E505	2	50	230	88	300	150	19
5612E655 5622E655	2 ½	65	290	93	335	150	21
5612E805 5622E805	3	80	310	108	343	150	28
5612E1005 5622E1005	4	100	350	116	360	150	38
5612E1505 5619E1505	6	150					



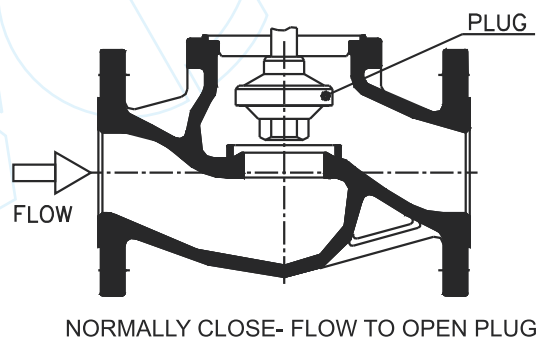
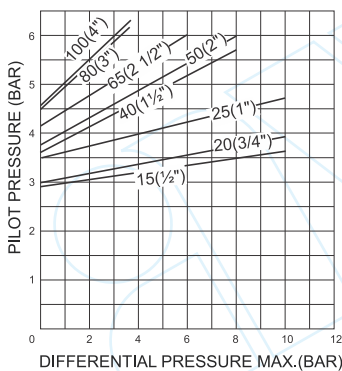
• OPEN TOLERANCE  $\pm 3\text{mm}$  ALL OVER

\* WEIGHT GIVEN ONLY STANDARD BONNET, CAST STEEL VALVES

### 5612E



### 5622E



#### Note:

Technical specifications, details & dimensions are subject to change without prior notice.  
Dimensions in the table are approximate subject to final confirmation by AVCON