

2/2-Way Pneumatic, Straight Body Valve with Cylinder Actuator for On-Off Application.

DATA SHEET
5612 G
5622 G

SPECIFICATIONS:

Sizes : 25mm (1") to 100 mm (4").

CONSTRUCTION:

Body and bonnet : SG Iron IS-1865-400/15A. Cast Steel ASTM A216 Gr. WCB, St. St. ASTM A351 CF8 (SS304), or ASTM A351 CF8M (SS316).

Press. Temp. Rating : As per ANSI B 16.5 Cl. 150.

End connection : Flanged as per ANSI B 16.5 Cl. 150.

Design Standard : As per ASME B 16.34.

Face to Face : As per DIN-3202 Part I Series F1.

Testing Standard : As per IS-6157-1981.

Trim : St. St. AISI 304/316 Ground and Burnished.

Stem packing : Self adjusting, Spring loaded, Teflon packing.

Plug and Seat : St. St. 304 or 316.

Seating : Soft seated PTFE. Optional-VITON/EPDM, Buna Nitrile.

Leakage : Soft seated Class VI, as per ANSI B16.104-1976.

Characteristics : On-Off, normally closed and normally open.

Working Fluid Pr. : Refer to table below.

Working Temp. : On Steam-continuous 155°C, Intermittent 180°C with PTFE seating, Buna Nitrile 80°C, EPDM 135°C, VITON 180°C.

ACTUATOR:

Spring return type pneumatic Cylinder Actuator.

Cylinder / Cover & Piston : Stainless Steel ASTMA351 (CF8).

Piston Packing : Buna Nitrile.

Actuator Spring : IS 4454 Grade III, duly painted.

Act. Wkg. Pres. (Signal Pressure) : 3.5 to 7.5 Bar (refer to graph)

Operating cycles : Upto 50 mm 300 cy/hr, (Tested on air, on other fluids this figure may vary).

Life expectancy : Over one million cycles (lab tested in ideal condition).



Air Quality : Lubricated, filtered and free of moisture shop air or dry instrument quality air.

Maximum operating pressure differential : Refer to graph.

Accessories : Air lock, Indicating limit switch box, Solenoid valves, Filter regulator gauge. Other accessories available on application.

Sales Point : Full ported flanged valve to give maximum flow, long life, simple in construction.

Application : For control of air, water, oil, gas, steam in textile, power generator, paper and pulp, chemical, air dryers, PSA nitrogen system, gas generator and others.

Back Pressure : Suitable upto 2.5 bar.

Instruction manual : Refer to IM 5612/5622.

Note : Use of AVCON Filter Regulator with Gauge. (Relieving type) set air pressure not more than 5.5 bar.

SPECIFICATION TABLE

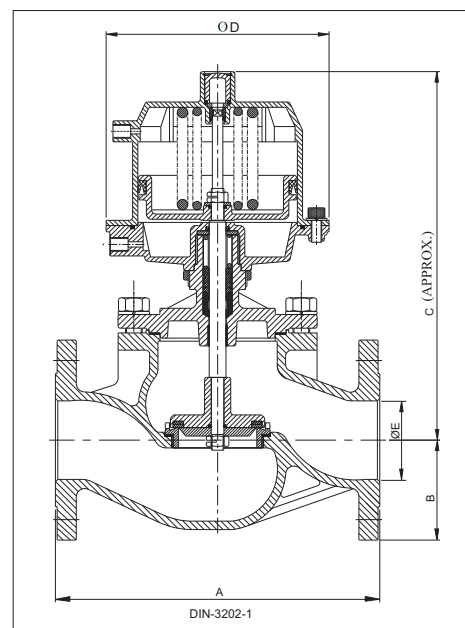
Catalogue Number	Size		Orifice Size (mm)	Flow Factor Kv M ³ /hr.	Max. Working Pressure bar	Safe Working Pressure bar	Actuator Model Cy	Air Consumption Lit/cys.
	Inch	(mm)						
5612G255 5622G255	1	25	25	10.5	10 10	16	80	0.250
5612G405 5622G405	1 ½	40	40	23.0	10 10	16	100	0.350
5612G505 5622G505	2	50	50	42.0	10 10	16	125	0.735
5612G655 5622G655	2 ½	65	65	66.5	6 6	16	125	0.735
5612G805 5622G805	3	80	80	95.0	10 8	16	130	0.900
5612G1005 5622G1005	4	100	100	169.0	5 4	16	130	1.200

❖ Solenoid valve type R321E, R331E or 9354B20, 9358B20 or R356B020, R358B020 recommended.

❖ Actuator in stainless steel casting.

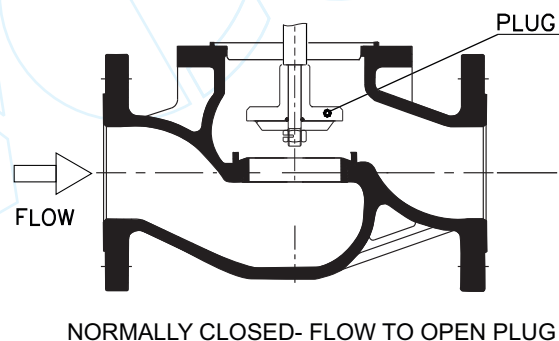
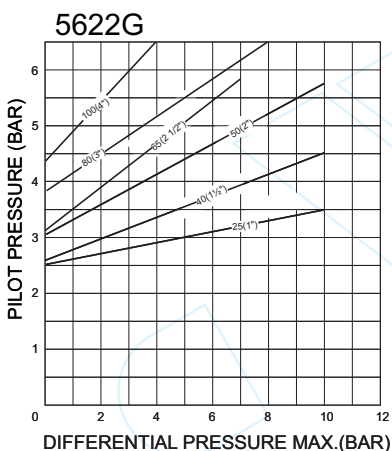
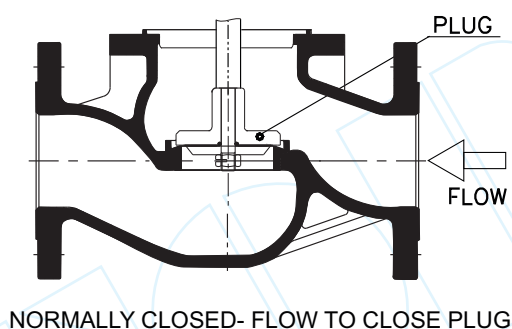
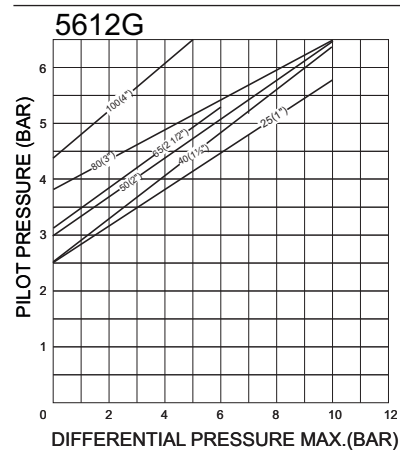
DIMENSIONS IN MM

Catalogue Number	Size		A	B	C	ØD	ØE	Weight kgs.*
	Inch	mm						
5612G255 5622G255	1	25	160	54	276	101.1	25	7
5612G405 5622G405	1 ½	40	200	76	290	110	38	8
5612G505 5622G505	2	50	230	88	300	150	50	19
5612G655 5622G655	2 ½	65	290	89	335	178	65	21
5612G805 5622G805	3	80	310	95.5	343	178	80	28
5612G1005 5622G1005	4	100	350	116	549	240	100	38



• OPEN TOLERANCE $\pm 3\text{mm}$ ALL OVER

* WEIGHT GIVEN ONLY STANDARD BONNET, CAST STEEL VALVES



Note:

Technical specifications, details & dimensions are subject to change without prior notice. Dimensions in the table are approximate subject to final confirmation by AVCON.