



Manual Diaphragm Valve 6227F (Forged)



Reference Standard

Design Standard	ASME BPE
Testing Standard	EN :12266-1
Surface Finish	ASME BPE SF:2.4 -1
Conformity Standard	EN :10204

Top Work

Hand Wheel	Plastic PA6 GF 30% (Autoclavable) / Stainless steel (Optional) - CF8/SS-304
Bonnet	ASTM A351CF8 (SS-304)
Visual Indicator	Open/Close

Elastomer/Polymer

Diaphragm Compliance	USP CLASS VI Biological Reactivity Test In Vitro and In Vivo US FDA CFR177.2600 (EPDM) US FDA CFR177.1550 (PTFE)
----------------------	---

Key Features

- ASME BPE Complaint design
- Non-Magnetic Design
- SIP 500 rated life Durability
- Non raising design
- Excellent drainability
- Stroke Restrictor
- Traceability documents
- Pore & Crack free

Applications

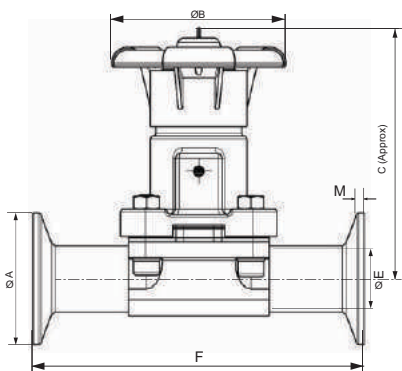
- CIP/SIP skids
- PW & WFI skids
- Water distribution & generation
- Bio reactors/Fermenters
- Chromatography skids
- Process distribution

Valve Construction

Valve Body	ASTM A182 F (SS-316L)
Body Pressure Rating	16Bars
Surface Finish	Internal : 0.2 to 0.4 Ra; External : 0.8Ra
End Connections	Triclamp (TC) as per BS 4825 /ASME BPE

Process Parameters

Service	Air/Water/Steam/Slightly aggressive fluid
Working Temperature	For EPDM : (-) 10 °C to 90 °C for liquid upto 120 °C for Steam For PTFE : (-) 10 °C to 155 °C
Working Pressure	10 Bar



Valve Model No.		Size		Flow Kv	Pressure	Drain Angle	Weight	Dimensions					
EPDM	PTFE/EPDM	INCH	MM	M ₃ Hr	Kg/cm ²	°	Kgs	A	B	C	E	F	M
6227F167/E/TC	6227F167/TE/TC	1/2"	15	3.5	10.0	20°	0.8	25	65	76.0	9.4	112	2.85
6227F217/E/TC	6227F217/TE/TC	3/4"	20	5.0	10.0	21.5°	0.8	50.5	65	97	15.75	117	2.85
6227F267/E/TC	6227F267/TE/TC	1"	25	12.5	10.0	21.5°	0.9	50.5	65	97	22.1	127	2.85
6227F417/E/TC	6227F417/TE/TC	1 1/2"	40	36.0	10.0	25°	2	50.5	128	140.0	34.8	146	2.85
6227F517/E/TC	6227F517/TE/TC	2"	50	42.0	10.0	30°	2.4	63.9	128	148.0	47.5	159	2.85
6227F667/E/TC	6227F667/TE/TC	2 1/2"	65	53.0	6.0	31.5°	3.65	77.4	128	165	60.2	190	2.85
6227F817/E/TC	6227F817/TE/TC	3"	75	63.0	6.0	31.5°	10.5	90.9	200	250	68.9	270	2.85



Manufactured by:

AVCON CONTROLS PVT. LTD.

Plot No. 65, Road No. 13, MIDC Marol Area, Andheri (E), Mumbai - 400 093.
Tel. No.: 91(22)-2834 9134/9971/73/2822 1505, Fax No.: 91(22)-2821 6917/3298
E-mail : avcon@avconcontrols.com, Website : www.avconcontrols.com