



# Pneumatic Diaphragm Valve 6827F (Forged)



### Key Features

- ASME BPE Complaint design
- Non-Magnetic Design
- SIP 500 rated life Durability
- Non raising design
- Excellent drainability
- Stroke Restrictor
- Traceability documents
- Pore & Crack free

### Applications

- CIP/SIP skids
- PW & WFI skids
- Water distribution & generation
- Bio reactors/Fermenters
- Chromatography skids
- Process distribution

### Reference Standard

Design Standard	ASME BPE
Testing Standard	EN :12266-1
Surface Finish	ASME BPE SF:2.4 -1
Conformity Standard	EN :10204

### Top Work

Pneumatic Actuator	Spring Return type
Body	Glass filled Polyamide
Visual Indicator	Open/Close
Act. Working Signal Pressure	3.5 to 6 bar

### Elastomer/Polymer

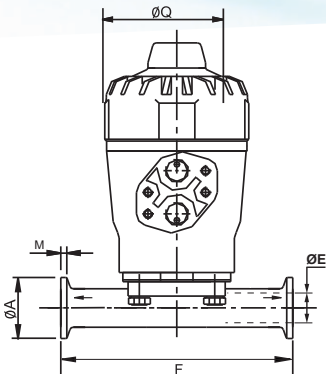
Diaphragm Compliance	USP CLASS VI Biological Reactivity Test In Vitro and In Vivo
	US FDA CFR177.2600 (EPDM)
	US FDA CFR177.1550 (PTFE)

### Valve Construction

Valve Body	ASTM A351CF3M (SS-316L)
Body Pressure Rating	16Bars
Surface Finish	Internal : 0.2 to 0.4 Ra; External : 0.8Ra
End Connections	Triclamp (TC) as per BS 4825 /ASME BPE

### Process Parameters

Service	Air/Water/Steam/Slightly aggressive fluid
Working Temperature	For EPDM : (-) 10 °C to 90 °C for liquid upto 120 °C for Steam For PTFE : (-) 10 °C to 155 °C
Working Pressure	10 Bar



Valve Model No.		Actuator (Normally Close)	Size		Flow Kv	Pressure	Drain Angle	Weight	Dimensions				
EPDM	PTFE/EPDM		INCH	MM					M <sub>3</sub> Hr	Kg/cm <sup>2</sup>	σ	Kgs	A
6827F167/E/TC	6827F167/TE/TC	K-52	1/2"	15	3.5	10.0	20°	0.7	25	9.4	112	2.85	63.5
6827F217/E/TC	6827F217/TE/TC	K-62	3/4"	20	5.0	10.0	21.5°	1.2	50.5	15.8	117	2.85	80
6827F267/E/TC	6827F267/TE/TC	K-62	1"	25	12.5	10.0	21.5°	1.3	50.5	22.1	127	2.85	80
6827F417/E/TC	6827F417/TE/TC	K-102	1 1/2"	40	36.0	10.0	25°	5	50.5	34.8	146	2.85	131
6827F517/E/TC	6827F517/TE/TC	K-122	2"	50	42.0	10.0	30°	7.3	63.9	47.5	159	2.85	161
6827F667/E/TC	6827F667/TE/TC	K-123	2 1/2"	65	53.0	6.0	31.5°	8.1	77.4	60.2	190	2.85	161
6827F817/E/TC	6827F817/TE/TC	CY-130	3"	80	62	6.0	31°	9.9	90.9	68.9	270	2.85	180

**Note : In case of Normally Open Actuator, please read Model no. as 6828 in place of 6827. Contact AVCON for 4" size Valves**



Manufactured by:

**AVCON CONTROLS PVT. LTD.**

Plot No. 65, Road No. 13, MIDC Marol Area, Andheri (E), Mumbai - 400 093.  
Tel. No.: 91(22)-2834 9134/9971/73/2822 1505, Fax No.: 91(22)-2821 6917/3298  
E-mail : avcon@avconcontrols.com, Website : www.avconcontrols.com