



Pneumatic Diaphragm Valve 6827M (IC)



Reference Standard

| | |
|---------------------|--------------------|
| Design Standard | ASME BPE |
| Testing Standard | EN :12266-1 |
| Surface Finish | ASME BPE SF:2.4 -1 |
| Conformity Standard | EN :10204 |

Top Work

| | |
|------------------------------|------------------------|
| Pneumatic Actuator | Spring Return type |
| Body | Glass filled Polyamide |
| Visual Indicator | Open/Close |
| Act. Working Signal Pressure | 3.5 to 6 bar |

Elastomer/Polymer

| | |
|----------------------|---|
| Diaphragm Compliance | USP CLASS VI Biological Reactivity Test In Vitro and In Vivo US FDA CFR177.2600 (EPDM) US FDA CFR177.1550 (PTFE) |
|----------------------|---|

Valve Construction

| | |
|----------------------|--|
| Valve Body | ASTM A351CF3M (SS-316L) |
| Body Pressure Rating | 16Bars |
| Surface Finish | Internal : 0.2 to 0.4 Ra; External : 0.8Ra |
| End Connections | Spigot as per BS 4825 /ASME BPE |

Process Parameters

| | |
|---------------------|---|
| Service | Air/Water/Steam/Slightly aggressive fluid |
| Working Temperature | For EPDM : (-) 10 °C to 90 °C for liquid upto 120 °C for Steam For PTFE : (-) 10 °C to 155 °C |

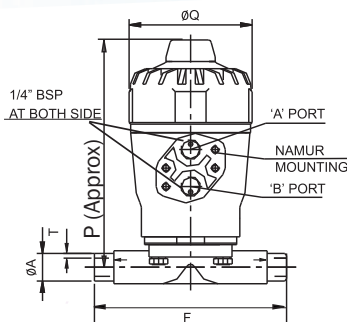
Working Pressure 10 Bar

Key Features

- ASME BPE Complaint design
- Non-Magnetic Design
- SIP 500 rated life Durability
- Non raising design
- Excellent drainability
- Stroke Restrictor
- Traceability documents

Applications

- CIP/SIP skids
- PW & WFI skids
- Water distribution & generation
- Bio reactors/Fermenters
- Chromatography skids
- Process distribution



| Valve Model No. | | Actuator (Normally Close) | Size | | Flow Kv | Pressure | Drain Angle | Weight | Dimensions | | | | |
|-----------------|----------------|---------------------------------|--------|----|------------|----------|----------------|--------|-------------------|--------------------|-----|------|------|
| EPDM | PTFE/EPDM | | INCH | MM | | | | | M ₃ Hr | Kg/cm ² | ° | Kgs | A |
| 6827M166/E/SP | 6827M166/TE/SP | K-52 | 1/2" | 15 | 3.5 | 10.0 | 20° | 0.7 | 12.7 | 112 | 124 | 63.5 | 1.65 |
| 6827M216/E/SP | 6827M216/TE/SP | K-62 | 3/4" | 20 | 5.0 | 10.0 | 21.5° | 1.2 | 19.05 | 117 | 150 | 80 | 1.65 |
| 6827M266/E/SP | 6827M266/TE/SP | K-62 | 1" | 25 | 12.5 | 10.0 | 21.5° | 1.3 | 25.4 | 127 | 150 | 80 | 1.65 |
| 6827M416/E/SP | 6827M416/TE/SP | K-102 | 1 1/2" | 40 | 36.0 | 10.0 | 25° | 5 | 38.1 | 146 | 240 | 131 | 1.65 |
| 6827M516/E/SP | 6827M516/TE/SP | K-122 | 2" | 50 | 42.0 | 10.0 | 30° | 7.3 | 50.4 | 159 | 282 | 161 | 1.65 |
| 6827M666/E/SP | 6827M666/TE/SP | K-123 | 2 1/2" | 65 | 53.0 | 6.0 | 31.5° | 8.1 | 63.5 | 190 | 300 | 161 | 1.65 |
| 6827M816/E/SP | 6827M816/TE/SP | CY-130 | 3" | 80 | 62.0 | 6.0 | 31.0° | 9.9 | 90.9 | 270 | 375 | 180 | 1.65 |

**Note : In case of Normally Open Actuator, please read Model no. as 6828 in place of 6827.
Contact AVCON for 4" size Valves**



Manufactured by:

AVCON CONTROLS PVT. LTD.

Plot No. 65, Road No. 13, MIDC Marol Area, Andheri (E), Mumbai - 400 093.
Tel. No.: 91(22)-2834 9134/9971/73/2822 1505, Fax No.: 91(22)-2821 6917/3298
E-mail : avcon@avconcontrols.com, Website : www.avconcontrols.com