

2/2-Way Pilot Operated, Diaphragm Type, Solenoid Valves.

DATA SHEET
9130 D
9132 D

For steam and hot water application upto 5 bar pressure

9130D- Normally Closed, Energised To Open.

9132D- Normally Open, Energised To Close.

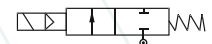
SPECIFICATIONS

Sizes	: 3/8" (10 mm) to 2" (50 mm).
End Connections	: Standard-G-ISO-228(BSP-F), Optional:NPT.
Body Material	: SS ASTM A351 Gr.CF8/CF8M.
Body Test Pressure	: 40 Bar (Refer to table below).
Max.Wkg.Pressure	: 4 Bar (Refer to table below).
Seat Material	: Standard - Silicon. Optional : EPDM
Core Tube Nut	: St.St.304/St.St.316.
Plunger/Stopper	: St.St.430FR.
Spring	: St.St.302.
Shading Ring	: Copper.
Temp.(ambient)	: 42Deg.C
Max.Wkg.Temp.	: (-)5 to 155Deg.C.
Voltage (AC)	: 230, 110, 48, 24 V - 50/60 Hz.
(DC)	: 24, 110, 240 V.
Enclosures	: General Purpose (IP20), Weatherproof- RD-WP-67. Flameproof-RD-FLP-IIC+WP67.
Approvals	: KLPL/PESO/CE/ATEX/BIS.
Differential Pr.	: 0.5 to 5 bar, (Refer to Table below).
Coil Insulation	: Class 'H' upto 155Deg.C, Class 'C' upto 180 Deg.C.
Fluids	: Steam temp.upto 120Deg.C, Hot water temp.upto 95Deg.C.
Manual Override	: Available for 9130D valve -Normally Closed. Not available for 9132D valve -Normally Open.
Sales Point	: Diaphragm Pilot Operated standard valve for low pressure steam.
Application	: Steaming equipment, Textile processing equipment, Laundry equipment, Kitchen equipment and others.
Mounting	: In horizontal pipeline, keeping solenoid upright and vertical.
Note	: 1) Use of Filter in the inlet side is highly recommended. 2) Not suitable for back pressure from outlet side. 3) Hot water temperature limited upto 95Deg.C only. 4) Suitable for Wet steam. 6) For high pressure steam, use valve type 9130H.



SPECIFICATION TABLE

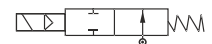
2/2 WAY NORMALLY CLOSED



Catalogue Number	Pipe Size	Orifice Size	Flow Factor Kv	Minimum Pressure	Maximum Operating Pressure (bar)		BTP	Material		Constr. Ref.	VA Rating	Watt Rating	Coil Type	Housing
	Inch	mm	M ³ /hr.		bar	Hot Water*		Steam	bar		Body	Seat		
9130D104	3/8	16	2.6	0.5	5	4	40	CF8	Silicon	159	36	22	M50-HT	SQ
9130D154	1/2	16	3.6	0.5	5	4	40	CF8	Silicon	159	36	22	M50-HT	SQ
9130D204	3/4	20	5.3	0.5	5	4	40	CF8	Silicon	159	36	22	M50-HT	SQ
9130D254	1	25	8.6	0.5	5	4	40	CF8	Silicon	159	36	22	M50-HT	SQ
9130D304	1 1/4	28	14.0	0.5	5	4	40	CF8	Silicon	159	36	22	M50-HT	SQ
9130D354	1 1/2	34	17.3	0.5	5	4	40	CF8	Silicon	159	36	22	M50-HT	SQ
9130D504	2	45	30.5	0.5	5	4	40	CF8	Silicon	159	36	22	M50-HT	SQ

* Hot water at 95°C only

2/2 WAY NORMALLY OPEN



Catalogue Number	Pipe Size	Orifice Size	Flow Factor Kv	Minimum Pressure	Maximum Operating Pressure (bar)		BTP	Material		Constr. Ref.	VA Rating	Watt Rating	Coil Type	Housing
	Inch	mm	M ³ /hr.		bar	Hot Water*		Steam	bar		Body	Seat		
9132D104	3/8	16	2.6	0.5	5	4	40	CF8	Silicon	635	36	22	M50-HT	SQ
9132D154	1/2	16	3.6	0.5	5	4	40	CF8	Silicon	635	36	22	M50-HT	SQ
9132D204	3/4	20	5.3	0.5	5	4	40	CF8	Silicon	635	36	22	M50-HT	SQ
9132D254	1	25	8.6	0.5	5	4	40	CF8	Silicon	635	36	22	M50-HT	SQ
9132D304	1 1/4	28	14.0	0.5	5	4	40	CF8	Silicon	635	36	22	M50-HT	SQ
9132D354	1 1/2	34	17.3	0.5	5	4	40	CF8	Silicon	635	36	22	M50-HT	SQ
9132D504	2	45	30.5	0.5	5	4	40	CF8	Silicon	635	36	22	M50-HT	SQ

* Hot water at 95°C only

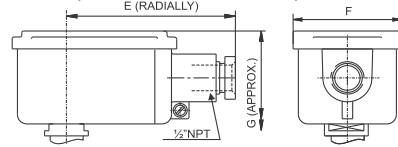
ELECTRICAL REFERENCE

Coil Type	Power Consumption & Watt Rating			Class of Insulation	Protection	Certification Standard
	AC		DC			
	VA Inrush	VA Holding	Watts			
M 50 SQ	50	36	22	H	GP/WP IP-67	IS/IEC 60529-2001
M 50 RD	50	36	22	H	GP/WP IP-67	IS/IEC 60529-2001
M 50 FLP IIC	50	36	22	H	FLP-IIC-IP-67	IS/IEC 60079-1-2014

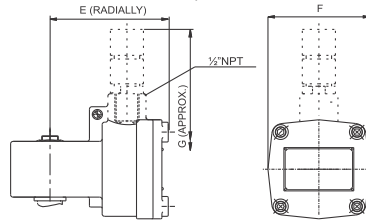
DIMENSIONS (IN MM)

Catalogue Number	Pipe Size	Constr. Ref.	A	B	C	D	Weight (Approx.) Kgs. ⬠
	Inch						
9130D104	3/8	159	65	28	129	54	1.110
9130D154	1/2	159	65	28	129	54	1.110
9130D204	3/4	159	80	32	134	66	1.555
9130D254	1	159	95	41	139	77	2.090
9130D304	1 1/4	159	100	43	144	82	2.435
9130D354	1 1/2	159	118	43	144	97	2.575
9130D504	2	159	137	58	151	117	3.655
9132D104	3/8	635	65	28	169	54	1.110
9132D154	1/2	635	65	28	169	54	1.110
9132D204	3/4	635	80	32	174	66	1.555
9132D254	1	635	95	41	179	77	2.090
9132D304	1 1/4	635	100	43	184	82	2.435
9132D354	1 1/2	635	118	43	184	97	2.575
9132D504	2	635	137	58	191	117	3.655

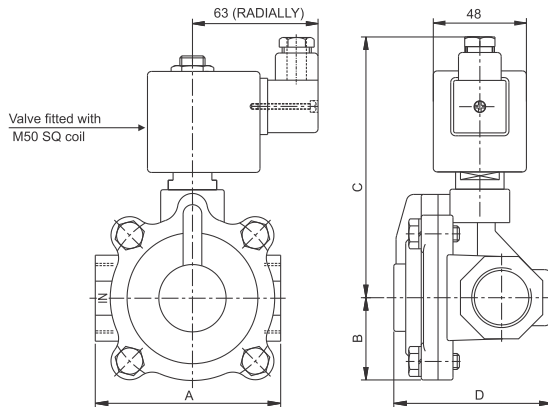
Valve fitted with M50 RD WP coil - Waterproof metallic enclosure as per IS/IEC 60529-2001 IP-67



Valve fitted with M50 FLP IIC coil - Flameproof metallic enclosure as per IS/IEC 60079-1-2014 IP-67.

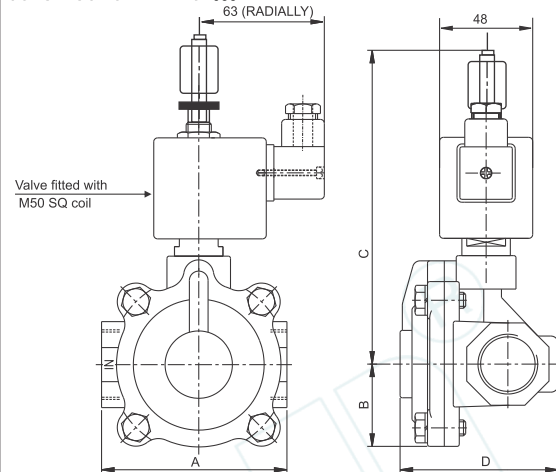


CONSTRUCTION REF. NO. :159



⬠ Weight with SQ enclosure only, ask AVCON for other weights.

CONSTRUCTION REF. NO.:635



Catalogue Number	Pipe Size	Constr. Ref.	E (RADIALLY)		F		G (APPROX.)	
	Inch		RD WP	FLP	RD WP	FLP	RD WP	FLP
9130D104	3/8	159	96	96	68	80	125	190
9130D154	1/2	159	96	96	68	80	125	190
9130D204	3/4	159	96	96	68	80	130	195
9130D254	1	159	96	96	68	80	135	200
9130D304	1 1/4	159	96	96	68	80	140	205
9130D354	1 1/2	159	96	96	68	80	140	205
9130D504	2	159	96	96	68	80	147	212
9132D104	3/8	635	96	96	68	80	165	190
9132D154	1/2	635	96	96	68	80	165	190
9132D204	3/4	635	96	96	68	80	170	195
9132D254	1	635	96	96	68	80	175	200
9132D304	1 1/4	635	96	96	68	80	180	205
9132D354	1 1/2	635	96	96	68	80	180	205
9132D504	2	635	96	96	68	80	187	212

Ed. 9130D/9132D-01-2023