

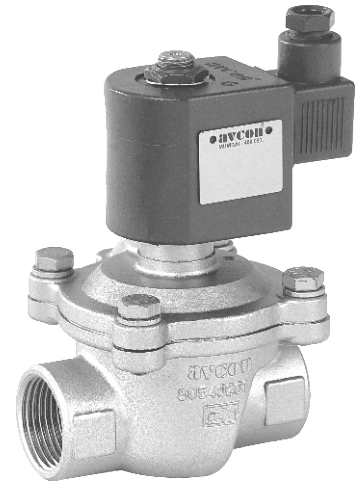
2/2 -Way Force Lift Type, Solenoid Valves

DATA SHEET
9230E
9232E

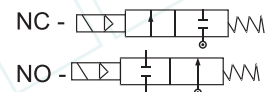
9230E - Normally Closed, Energised to Open,
9232E - Normally Open, Energised to Close.

SPECIFICATIONS

Sizes	: 3/8" (10 mm) to 2" (50 mm).
End Connections	: Standard-G-ISO-228(BSP-F), Optional-NPT.
Body Material	: SS ASTM A351 Gr.CF8/CF8M.
Body Test Pressure	: 40 Bar (Refer to table below).
Max.Wkg.Pressure	: 6 Bar (Refer to table below).
Seat Material	: Std. : Buna Nitrile, Optional - Viton, Neoprene, EPDM.
Core Tube Nut	: St.St.304 / St.St.316.
Plunger/Stopper	: St.St.430FR.
Spring	: St.St.302.
Shading Ring	: Copper. Optional: Silver for corrosive media.
Temp.(ambient)	: 42Deg.C
Max.Wkg.Temp.	: (-)5 to 80Deg.C.
Voltage (AC)	: 230, 110, 48, 24 V - 50/60 Hz.
(DC)	: 24, 110, 240 V.
Enclosures	: General Purpose (IP20). Weatherproof- RD-WP-67. Flameproof-RD-FLP-IIC+WP67.
Approvals	: KLPL/PESO/CE/ATEX/BIS.
Differential Pr.	: 0 to 6 bar (Refer to table below).
Coil Insulation	: Class 'H' upto 155Deg.C.
Fluids	: Air,Water,Gas, Mild vacuum,Light oil, mild corrosive fluid, etc.
Manual Override	: Available only for 9230E-Normally Closed Valve. Not available for 9232E-Normally Open Valve.
Sales Point	: High volume flow, low pressure application.
Application	: Gas burning equipment, Autoclaves, Oil centrifuge plants, Mild vacuum plants, Pump seal water application, Low pressure water circulation system, solar heating system, gas generator and others.
Mounting	: In horizontal pipeline, keeping solenoid upright and vertical.
Note	: 1) Use of Filter in the inlet side is highly recommended. 2) Not suitable for back pressure from outlet side.



SPECIFICATION TABLE 2/2 WAY NORMALLY CLOSED / NORMALLY OPEN



Catalogue Number	Pipe Size	Orifice Size	Flow Factor Kv	Minimum Pressure	Maximum Operating Pressure (bar)						BTP	Material		Constr. Ref.	VA Rating	Watt Rating	Coil Type	Housing	
					AC			DC				bar	Body						Seat
					Air/Gas	Water	Light Oil	Air/Gas	Water	Light Oil									
9230E104 9232E104	3/8	16	2.6	0	6	4	3	6	5	3	40	CF8	BN	167	36	22	M50	SQ	
9230E154 9232E154	1/2	16	3.4	0	6	4	3	6	5	3	40	CF8	BN	167	36	22	M50	SQ	
9230E204 9232E204	3/4	19	4.3	0	6	3.5	3	6	4	3	40	CF8	BN	167	36	22	M50	SQ	
9230E254 9232E254	1	25	8.6	0	6	3.5	2	6	4	2.5	40	CF8	BN	167	36	22	M50	SQ	
9230E304 9232E304	1-1/4	28	14.6	0	5	3.5	2	5	4	2	40	CF8	BN	167	36	22	M50	SQ	
9230E354 9232E354	1-1/2	34	17.3	0	5	3	2	5	4	2	40	CF8	BN	167	36	22	M50	SQ	
9230E504 9232E504	2	45	30.5	0	4	3	2	4	3	2	40	CF8	BN	167	36	22	M50	SQ	

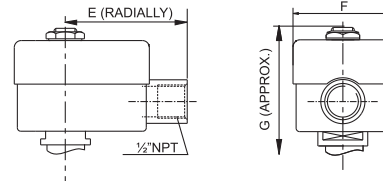
ELECTRICAL REFERENCE

Coil Type	Power Consumption & Watt Rating			Class of Insulation	Protection	Certification Standard
	AC		DC			
	VA Inrush	VA Holding	Watts			
M 50 SQ	50	36	22	H	GP/WP IP-67	IS/IEC 60529-2001
M 50 RD	50	36	22	H	GP/WP IP-67	IS/IEC 60529-2001
M 50 FLP IIC	50	36	22	H	FLP-IIC IP-67	IS/IEC 60079-1-2014

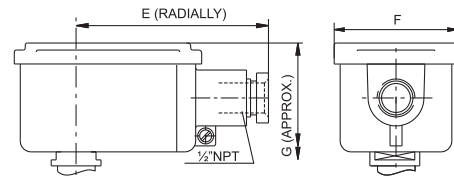
DIMENSIONS IN (MM)

Catalogue Number	Pipe Size	Constr. Ref.	A	B	C	D	Weight (Approx.)
	Inch						Kgs. ♦
9230/9232E104	3/8	167	65	14.5	119	72	1.12
9230/9232E154	1/2	167	65	14.5	119	72	1.12
9230/9232E204	3/4	167	80	26	124	80	1.495
9230/9232E254	1	167	95	27	129	96	1.65
9230/9232E304	1 1/4	167	100	30	138	101	2.275
9230/9232E354	1 1/2	167	118	34	144	102	2.38
9230/9232E504	2	167	137	42	154	133	3.715

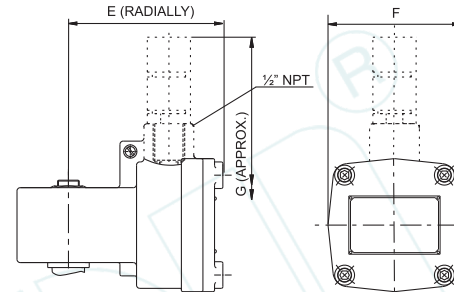
Valve fitted with M50 RD GP coil - General purpose enclosure as per IP-20



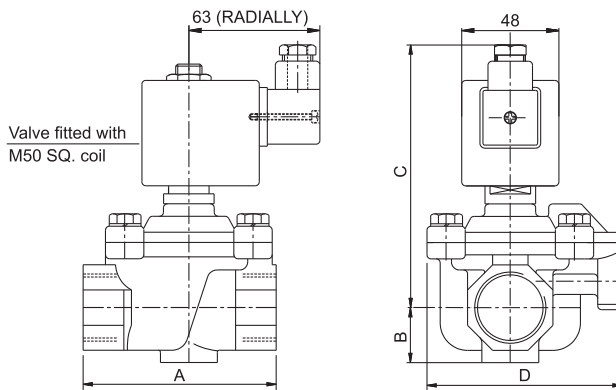
Valve fitted with M50 RD WP coil - Waterproof metallic enclosure as per IS/IEC 60529-2001 IP-67



Valve fitted with M50 FLP IIC coil - Flameproof metallic enclosure as per IS/IEC 60079-1-2014 IP-67.



CONSTRUCTION REF. NO.: 167



Catalogue Number	Pipe Size	Constr. Ref.	E (RADIALLY)			F			G (APPROX.)		
	Inch		RD GP	RD WP	FLP	RD GP	RD WP	FLP	RD GP	RD WP	FLP
9230/9232E104	3/8	167	66	96	96	57	68	80	110	115	180
9230/9232E154	1/2	167	66	96	96	57	68	80	110	115	180
9230/9232E204	3/4	167	66	96	96	57	68	80	115	120	185
9230/9232E254	1	167	66	96	96	57	68	80	120	125	190
9230/9232E304	1 1/4	167	66	96	96	57	68	80	129	134	199
9230/9232E354	1 1/2	167	66	96	96	57	68	80	135	140	205
9230/9232E504	2	167	66	96	96	57	68	80	145	150	215

♦ Weight with SQ enclosure only, ask AVCON for other weights.

Note:

Technical specifications, details & dimensions are subject to change without prior notice. Dimensions in the table are approximate subject to final confirmation by AVCON.

Ed.9230E/9232E-01-2023