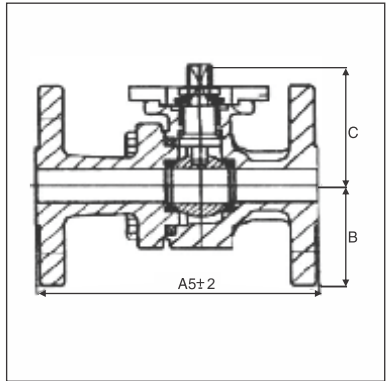


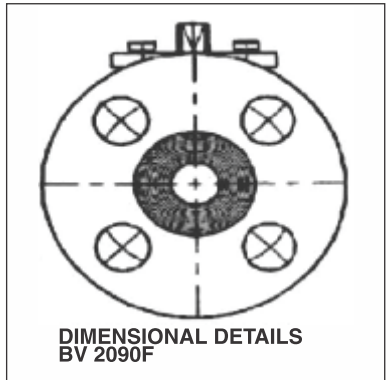
**DIMENSIONAL DETAILS
TWO PIECE DESIGN SERIES 2090F/A***

Catalogue No	Size		A5	B	C
	Inch	mm	mm	mm	mm
2090F / A 155	1/2	15	108	45	54
2090F / A 205	3/4	20	118	49	57
2090F / A 255	1	25	127	54	70.5
2090F / A 405	1 1/2	40	165	64	90
2090F / A 505	2	50	173	76	99.5
2090F / A 655	2 1/2	65	190	89	134
2090F / A 805	3	80	203	96	145
2090F / A 1005	4	100	229	115	170.5
2090F / A 1505	6	150	394	139.5	197.5



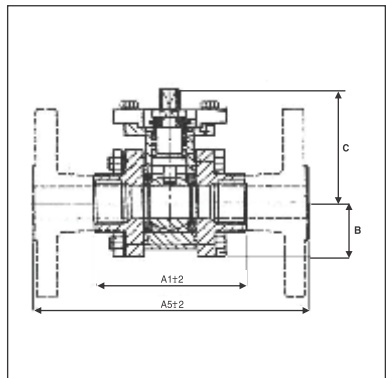
SPECIFICATION TABLE FOR TWO PIECE DESIGN VALVES

Catalogue No	Size		Orifice Size	Flow Factor Kv	Working Pressure	Hydrostatic Test Pressure
	Inches	mm	mm	m3/hr	Bar	Bar
2090 F / A 155	1/2	15	15	11.00	16	40
2090 F / A 205	3/4	20	20	28.00	16	40
2090 F / A 255	1	25	25	48.00	16	40
2090 F / A 405	1 1/2	40	40	103.00	16	40
2090 F / A 505	2	50	50	206.00	16	40



**DIMENSIONAL DETAILS
THREE PIECE DESIGN SERIES 2070F/A***

Catalogue No.	Size		A1	A5	B	C
	Inch	mm	mm	mm	mm	mm
2070F151	1/2	15	71	130	26	54
2070F201	3/4	20	96	150	30	57
2070F251	1	25	109	160	34	70.5
2070F401	1 1/2	40	129	200	44	90
2070F501	2	50	142	230	70	99.5



* F= DIN PN16, A=ANSI Cl.150RF

Note:

Technical specifications and dimensions are subject to change without prior notice. Dimensions in the table are approximate subject to final confirmation by AVCON.