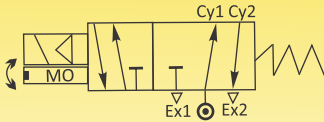


SOLENOID VALVES FOR AUTOMATION

4 - WAY MANIFOLD MOUNTED SOLENOID VALVES, WITH M22 COILS.

SERIES R482E



R482E Manifold Valve

NOTE : Not Available in WP-67 or FLP-IIC Enclosure.

General Description:

Series R482E062 (2-Valves) to R482E068 (8-valves) one can connect upto 8 valves together, but one has to provide an Accumulator in the beginning of the Inlet of the valve to stop starving of the valves.

End Connection:

'G'-ISO-228 (BSP) & NPT. Manifold end connections : 3/8" NPT.

Max. Temperature Range:

Working temperature for media is (-)5°C to 80°C with Buna Nitrile parts.

Coil:

Series R482E Solenoid Valves with M22 coils are supplied with Class 'H' insulated (180°C) coils; encapsulated in Thermo Plastic, containing 40% Glass fibre. All coils are for continuous service, 100% duty (E.D). Rated voltage tolerances are +/-10% for all AC power coils; +/-10%/-5% for DC supply. Coils can be used on AC with frequency of 50 Hz.

Approvals: M22 Coils are CE, EMI/EMC approved. Available for voltage range 220/230/ 240/110/48/24V 50/60Hz AC and 220/100/24V DC. For approval information, please refer to page no.90.

Material:

- Valve Body : Standard Extruded Aluminium HE-30 Heat treated body with Black anodizing to prevent atmospheric corrosion.
- Seals(Seating) : Buna Nitrile;
- Tube Nut : Brass or SS316.
- Plunger & Stopper : AISI430FR St. St.
- Spring : AISI302 St. St.
- Shading Ring : For AC: Copper/Al. For DC: No Shading Ring.
- Coil Type : AC-M22-SQ/GP/H, 240/110 V 50 Hz Rating: 5 VA . DC-M22-SQ/GP/H, 24VDC,Rating: 6.5watts.
- Manual Override : Standard
- Application : Valves are very suitable and useful for operating Pneumatic Cylinders.

Installation:

Valves can be mounted in any position except "Inverted", preferable in Horizontal pipeline with magnetic construction in vertical and upright position. Series R482E valves are not designed for Back Pressure coming from downstream side.

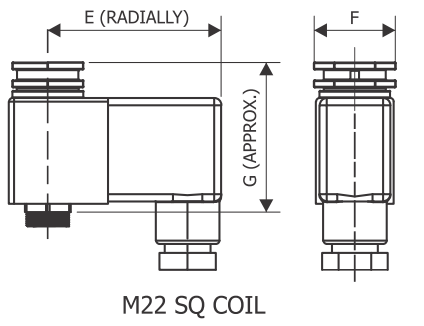
SPECIFICATIONS:

Series	Pipe Size	Orifice	Kv	Body Material	Seat	BTP	Max.Operating Pressure (Bar)		Coil Type	Coil Rating		Constr. Ref.	Weight
							AC (Air)	DC (Air)		VA	Watt		
R482E	Inch	mm	M ³ /hr.			bar				~	=		kgs
062	¼	6	0.5	AL	BN	16	12	10	M22SQ	5	6.5	758	1.022
064	¼	6	0.5	AL	BN	16	12	10	M22SQ	5	6.5	758	1.880
066	¼	6	0.5	AL	BN	16	12	10	M22SQ	5	6.5	758	2.738
068	¼	6	0.5	AL	BN	16	12	10	M22SQ	5	6.5	758	3.596



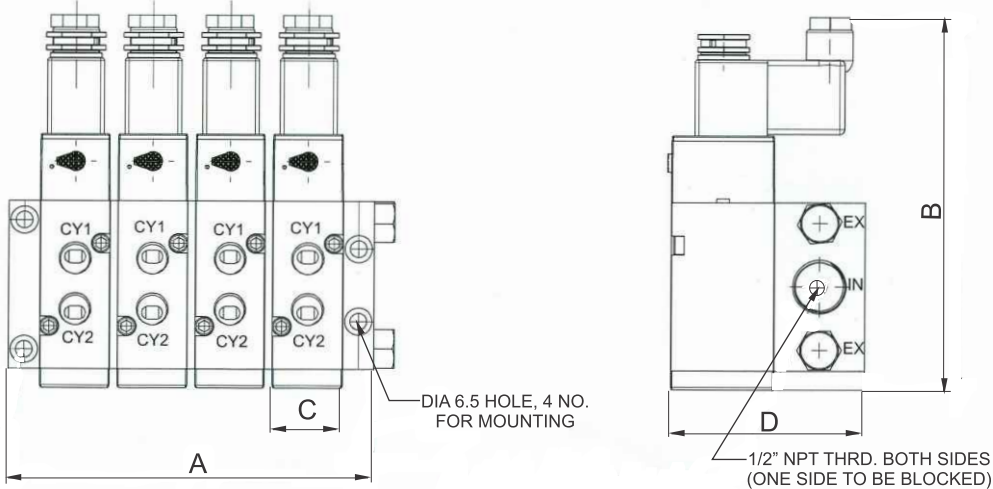
NOTE: Valves suitable for AC and DC supply are different in characteristics and construction. No Interchanging of coils between DC to AC or AC to DC possible. DO NOT INTERCHANGE COILS. Minimum details required for submitting offer: Size, Body material, diaphragm, medium name, Flow (M3/hr), pressure (bar), temp. Deg.C, coil voltage AC or DC,Quantity (Nos), etc.

COIL TYPE	POWER CONSUMPTION & WATT RATING			Class of Insulation	Protection	Certification Standard
	AC		DC			
	VA Holding	Watts	Watts			
M22-SQ/WP67	5	5	6.5	H	WP-IP-67	IS/IEC 60529-2001



DIMENSION IN (MM)					
CATALOGUE NO.	Number Of Valves	A (mm)	B (mm)	C (mm)	D (mm)
R482E 062	2	81	145	27	77
R482E 064	4	141	145	27	77
R482E 066	6	201	145	27	77
R482E 068	8	261	145	27	77

Construction Ref. No. 758



CATALOGUE NO.	PIPE SIZE INCH	CONSTR REF.	E (RADIALLY)	F	G
			SQ	SQ	SQ
			M22	M22	M22
R482E 062	1/4	758	50	22	40
R482E 064	1/4	758	50	22	40
R482E 066	1/4	758	50	22	40
R482E 068	1/4	758	50	22	40

Note:

Technical specifications, details & dimensions are subject to change without prior notice. Dimensions in the table are approximate subject to final confirmation by AVCON.

Office At.:
 PUNE (BR)
 NEW DELHI (BR)
 KOLKATA (BR)
 CHENNAI (BR)
 BANGALORE (BR)
 HYDERABAD (BR)
 BARODA (BR)
 MUMBAI (BR)

Contact No.:
 08390902673
 09810915079
 09831904444
 08939312809
 08431256574
 07995086416
 08511119967
 09810015079

AVCON CONTROLS PVT. LTD.
REGD OFFICE & WORKS:
 Plot No.65, Road No.13, MIDC Marol Area,
 Andheri (E), Mumbai-400 093.
 Tel. No.: 91(22)-69156100,28221505
 Fax No.: 91(22)-28213298
 E-mail : avcon@avconcontrols.com