

## OUTLET PRESSURE

DN 15 to DN 100 : 5 to 350 mbar.  
 DN 150 : 5 to 160 mbar

"ALL REGULATORS ARE SET TO 20 mbar OUTLET PRESSURE IN OUR FACTORY (RED SPRING) OTHER RANGES TO BE OBTAINED BY CHANGING GIVEN SPRING."

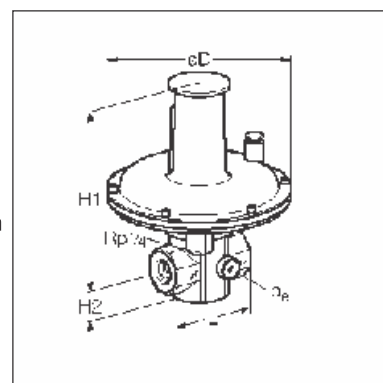
External impulse line size - RP 1/4" for size 15 and 25 mm, 3/8" for DN 40 to 150 mm.

All valves are provided with RP 1/4" connections at inlet and outlet side; are plugged, to be used as pressure test points or for connection pilot gas line.

(-15°C to 60°C Regulators confirm to current standard of EN334, Regulating Group RGXXR/A/F10 & RGXXR/A/F40 (1 & 4 bar) and closing pressure group SG30. Strainers which are possibly provided in the regulators, serve as flow straighteners. Regulator fitting position in the pipeline is irrelevant. However, this device must be fitted in the pipeline which is free of tension and must not touch any surrounding constructions ( wall, brick, work, etc. ) It is necessary to maintain minimum 20 mm distance from the surrounding walls.

In accordance with EN746-2 for gas pressure regulating plants, where inlet pressure is in excess of 100 mbar; is required to be fitted with Safety Shut off Valve (SHV), prior to gas regulator / governor, and a Safety Relief Valve (SRV), after gas regulator.

For Regulators With Flanged Connection, Flanged Bolts, Nuts And Washers Can Be Supplied



Dimensions Of Screwed End Regulator  
 Dimensions Of Flanged End Regulator

## COLOR CODE & SPRING IDENTIFICATION TABLE 1

SPRING MARKING	OUTLET PRESSURE RANGE ( mbar )	
	DN 15 - DN 100	DN 150
NONE	5–12,5	5–12,5
RED	10–30	10–30
YELLOW	25–45	25–45
GREEN	40–60	40–60
BLUE	55–75	55–75
BLACK	70–90	70–90
WHITE	85–105	85–105
BLACK/ RED	100–160*	100–160*
BLACK/ YELLOW	150–230*	-----
BLACK/ GREEN	220–350*	-----

WHEN CHANGING THE SPRING, THE SPRING ADJUSTING SCREW HAS TO BE EXCHANGED FOR A STRONGER VERSION.

Fitting of Damping valve for model RG15 and RG25 not required. For RG 1 bar and RG 4 bar pressure, damping valves are supplied loosely tied down with the valve. They are required to be fitted, if found necessary.

While installing impulse line, please observe a diagram. Nipples are provided with the valves. Use Aluminum pipeline connection to Rp 1/4 for DN 15 and DN 25, connection Rp 3/8 for DN 40 to DN150, connected to the outlet side at a distance not lesser than 5 x diameter of valve.

Outlet velocities: AVCON recommends avoiding velocity of low flow above 30 m/sec in the outlet pipe. In order to maintain a steady regulation and has smooth operation with higher velocities; the next bigger size of outlet pipe should be chosen.

