

## Safety Relief Valve, Type SRV

### FEATURES

- For Gaseous Media
- Inlet Pressure Range upto 4 Bar
- Adjustable Operating Pressure
- Free of Non Ferrous Metal

### APPLICATION

The Safety Relief Valve has been designed for :

- To reduce temporary pressure surges in the control system, especially downstream of Regulator, in order to avoid accidental operation of the Safety Shut-Off Valve (SHV).
- To avoid a sudden pressure rise in case of gas leakages due to the inadequate closure of gas governors.

Specified for all gas pressure regulating plants with inlet pressure greater than 100 millibar, in conjunction with Safety Shut-Off Valve (SHV), according to the code of practice G490/491. Suitable for air, technical combustion gas, bio-gas, etc.

Also applicable as bypass governors.

### CONSTRUCTION

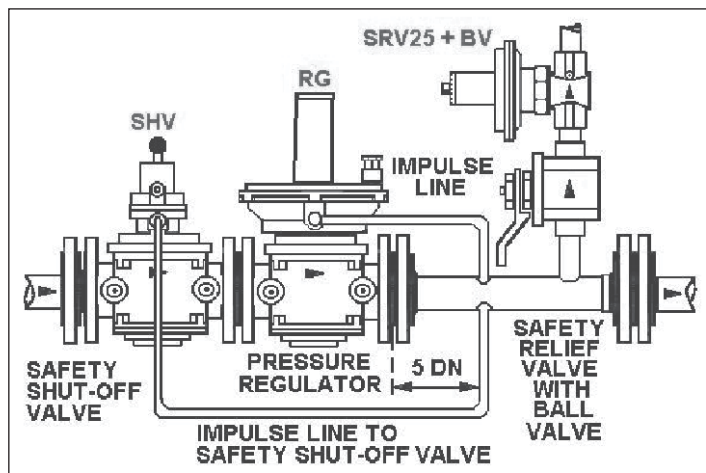
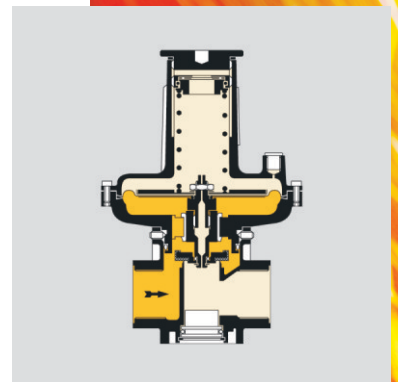
- Body : Aluminium Die Cast
- Diaphragm : Perbunan
- Seat : Aluminium
- Spindle : Stainless Steel 304
- Disc Seal : NBR

One way valve with spring loaded diaphragm assembly conforms to DIN 3381 and DVGW code of practice.

One pressure test point is standard.

### TECHNICAL DATA

- Connection : BSP (R)
- Inlet Pressure : 4 bar maximum
- Zero Shut- Off : Up to the set opening pressure
- Operating Temperature : -15°C to + 60°C.



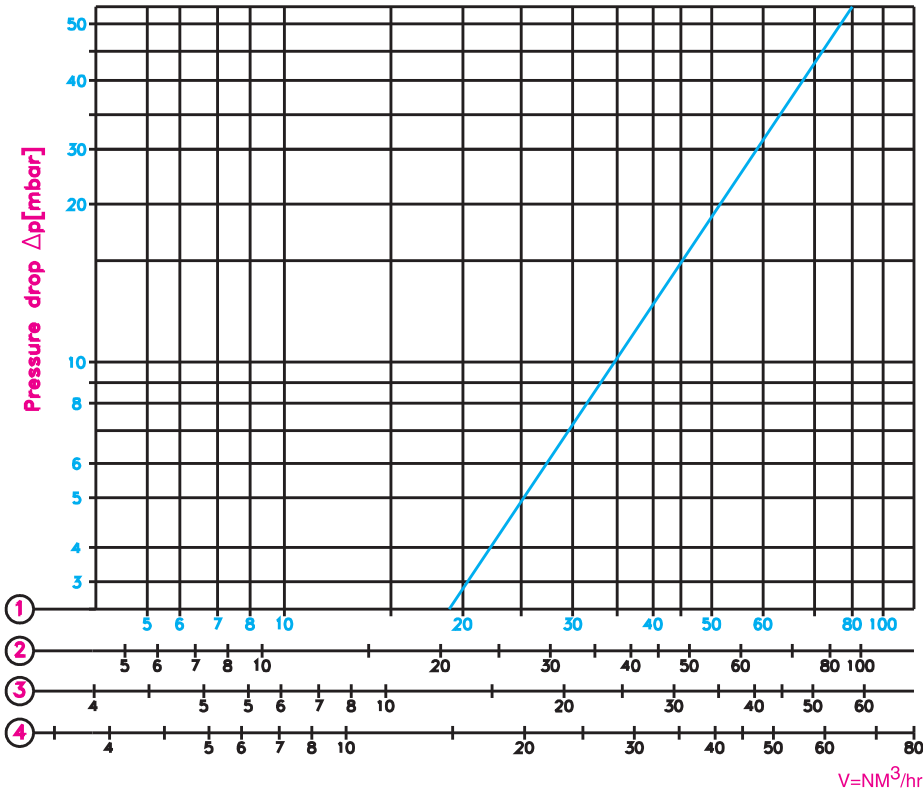
Opening Pressure ( mbar )	Spring Color
20 - 40	Red
35 - 50	Yellow
45 - 75	Green
70 - 170	Blue
165 - 330	Black
320 - 500	White

## INSTALLATION

With opening pressure up to 100 mbar, the spring retaining dome must point upwards. Above 100 mbar, the fitting position is arbitrary.

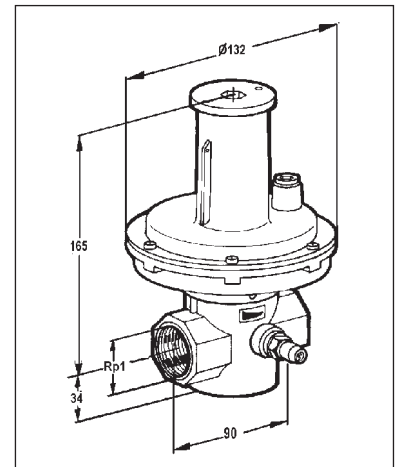
Opening pressure can be easily set by means of adjusting or fitting different springs.

## VOLUMETRIC FLOW DIAGRAM



### SPECIFIC GRAVITY :

- ① Natural Gas = 0.62
- ② Town Gas = 0.45
- ③ LP Gas = 1.56
- ④ Air = 1.00



### Note:

Technical specifications and dimensions are subject to change without prior notice. Dimensions in the table are approximate subject to final confirmation by AVCON.



Manufactured by:

**AVCON CONTROLS PVT. LTD.**

Plot No. 65, Road No. 13, MIDC Marol Area, Andheri (E), Mumbai - 400 093.  
 Tel. No.: 91(22)-2834 9134/9971/73/2822 1505, Fax No.: 91(22)-2821 6917/3298  
 E-mail : avcon@avconcontrols.com, Website : www.avconcontrols.com