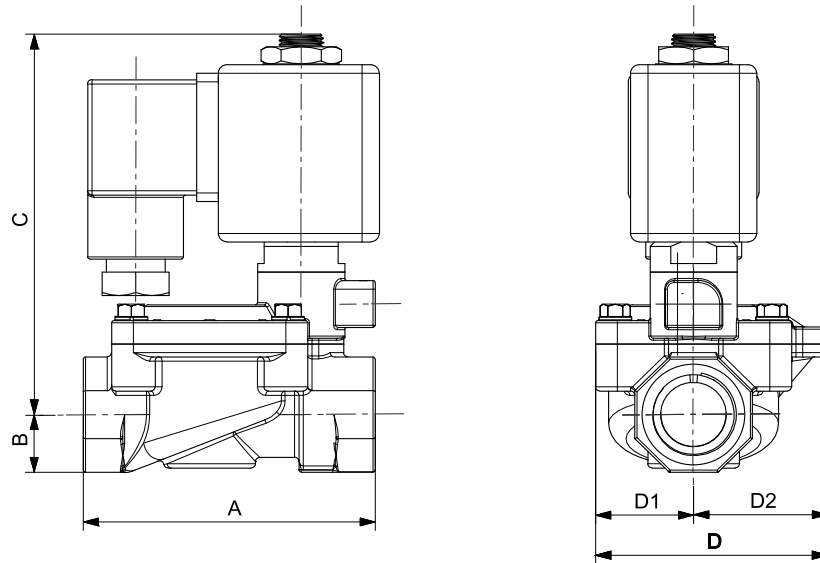


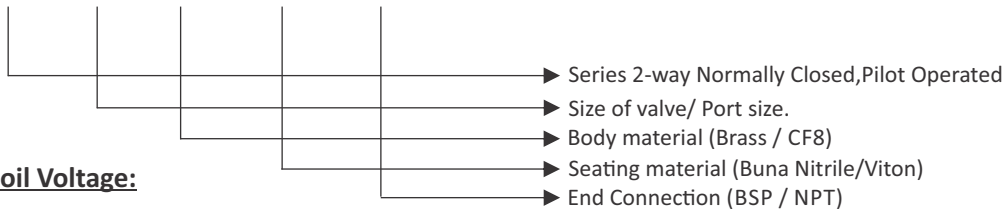
Construction Ref. No. 591



CATALOGUE NO.	Size	A	B	C	D	D1	D2	APPROX WT. (kgs)
113A 10	3/8"(FG)	67	13	89	53	22	31	0.530
113A 15	1/2"(FG)	67	13	89	53	22	31	0.580
113A15	1/2"(IC)	67	13	89	53	22	31	0.550
113A 20	3/4"(IC)	93	17	95	76	33	43	0.880
113A 25	1"(IC)	102	20	98	76	33	43	0.935
113A 35	1 1/2"(IC)	132	28	105	110	55	55	1.650
113A 50	2"(IC)	160	35	114	132	64	68	2.850

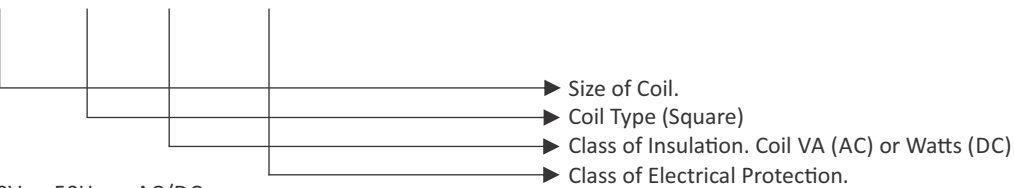
**How to read the catalogue:**

113A   15   BR/CF8   BN/V   BSP/NPT

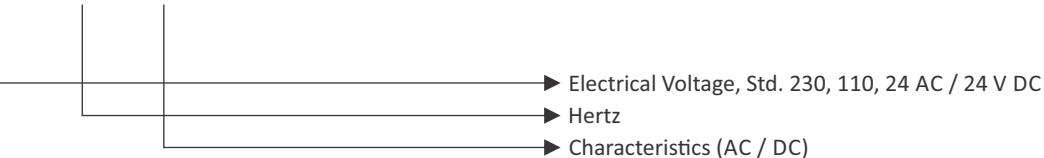


**Coil Voltage:**

M36   SQ   H-18/12   WP-65



110V   50Hz   AC/DC



**Office At.:**  
 PUNE  
 NEW DELHI  
 KOLKATA  
 CHENNAI  
 BANGALORE  
 HYDERABAD  
 BARODA

**Contact No.:**  
 +91 (20) 2712 0776  
 +91 (11) 2646 0811  
 +91 (33) 2230 2471  
 +91 (44) 40282503  
 +91 (80) 42911261  
 +91 (40) 30916849  
 +91 (26) 52345078